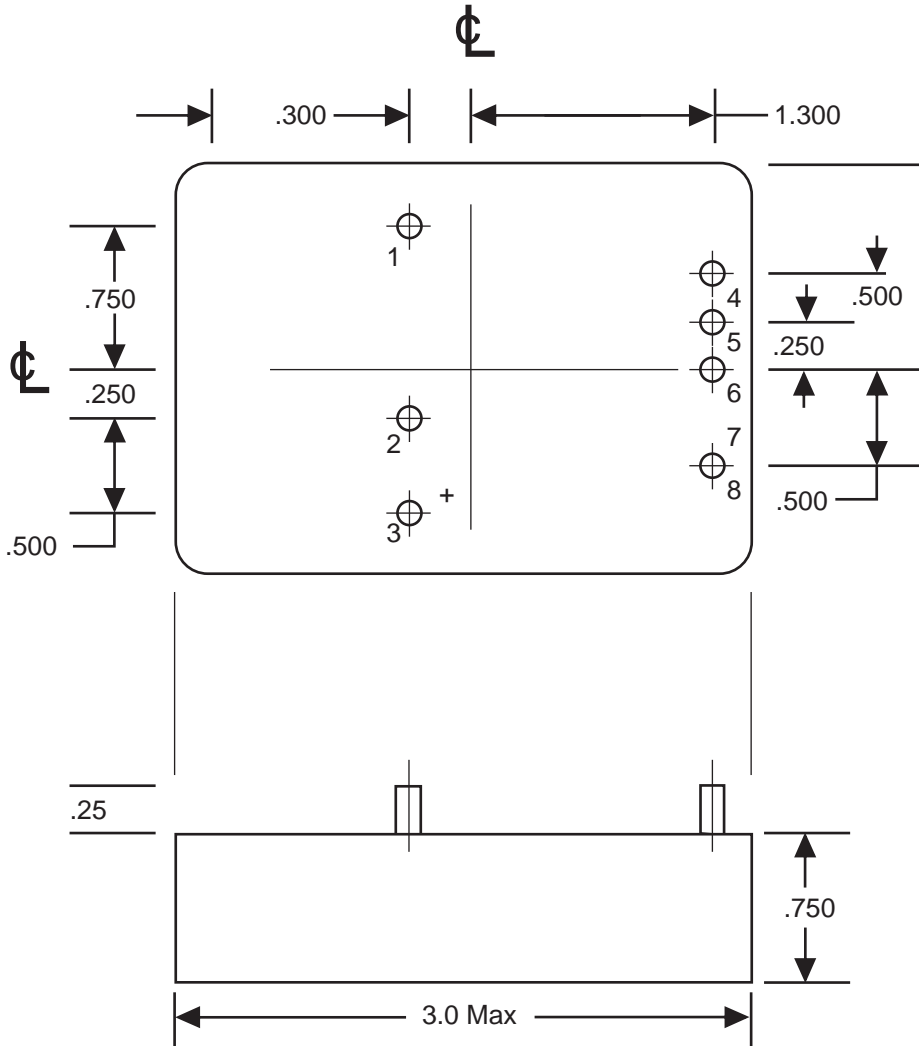


Series Y 30



Pin Assignment Table

1	+ input
2	+ TTL
3	- TTL
4	- input
5	+ output
6	- output
7	N/C
8	shield