



### MV Series

#### HIGH VOLTAGE PROPORTIONAL POWER SUPPLIES

The new MV series of 3 watt proportional high voltage power supplies have replaced the MIL Electronics V series. These general purpose dc to dc converters are designed for PCB mounting with 05 high profile and weighing less than 2 ounces. They offer output voltages to 6000 volts with efficiencies to 85%. A shielding option is available. They are fully encapsulated and available in optional. PCB pin patterns.

Model	Input I (F. L.)	Input Voltage	Output Voltage	Output Current	Ripple P-P %
MV100	425 mA	.8 to 12V	0 - 100V	30 mA	0.1
MV500	400 mA	.8 to 12V	0 - 500V	6 mA	0.2
MV1000	400 mA	.8 to 12V	0 - 1000V	3 mA	0.03
MV1500	400 mA	.8 to 12V	0 - 1500V	2 mA	0.05
MV2000	400 mA	.8 to 12V	0 - 2000V	1.5 mA	0.25
MV3000	400 mA	.8 to 12V	0 - 3000V	1.0 mA	0.25
MV4000	400 mA	.8 to 12V	0 - 4000V	0.75 mA	0.5
MV5000	400 mA	.8 to 12V	0 - 5000V	0.6 mA	0.5
MV6000	400 mA	.8 to 12V	0 - 6000V	0.5 mA	0.5

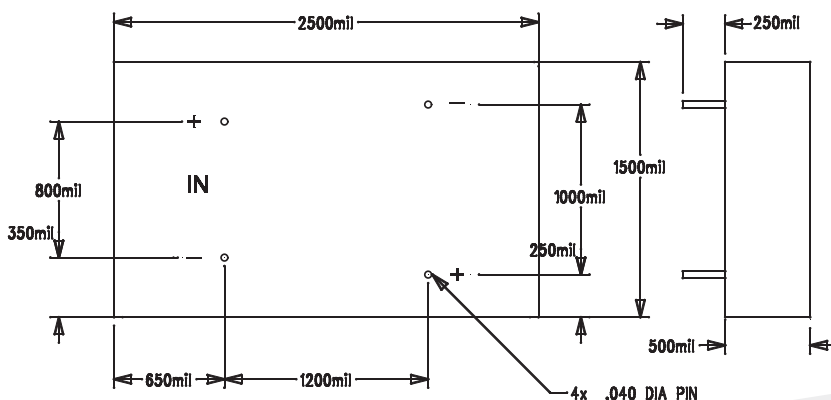
#### FEATURES

- Low Profile PCB Mountable
- Replaces V Series
- Proportional Input/Output
- High Performance Low Ripple
- Reverse Polarity Protected
- Low Cost
- High Efficiency

#### OPTIONS

- Shielding Pin
- Output Center Tap
- Mounting Holes
- Alternate Pin Configurations

#### Mechanical Drawing



MV pin configuration

#### ELECTRICAL SPECIFICATIONS

- Power: 3 Watts
- Input Voltage: 0.8 (turn on) to 12 VDC
- Input Current: <175 mA No Load
- Input Current: < 400 mA Full Load
- Output Voltage: See Table
- Output Current: See Table
- Switching Frequency: Floating Output (+ and - Eo)
- Ripple: See Table
- Isolation: 3500 Volts
- Efficiency: 85% Typical

#### MECHANICAL SPECIFICATIONS

- Size: 2.5 X 1.5 X 0.50 H  
(63.5mm X 19mm X 12.7mm H.)
- Weight: 2 OZ
- Packaging: Epoxy Encapsulation
- Case: Dap
- Plated PCB Pins: 4 pins  
0.394" L (1.1mm) X 0.40" Dia. (10.16 mm)