



Y16 Series

High Voltage 8 Watt Proportional DC to DC Converters

The Y16 Series series proportional 100 and 200 volts converters are a cost effective solution for low power applications. The 2.5: X 1.9" X 1"H package is PC mountable and can be modified to allow for flying leads. It is available in two proportional output configurations and can be modified to accommodate other output voltages. This series is well suited for Mass Spectrometer Instruments.

Model	Input Voltage	Output Voltage	Output Current
Y165	18 to 24 VDC	100 to 165VDC	40mA
Y200	18 to 24 VDC	165 to 200VDC	40mA

FEATURES

- Low Profile
- PCB Mounting
- Proportional Input/Output
- Low Cost

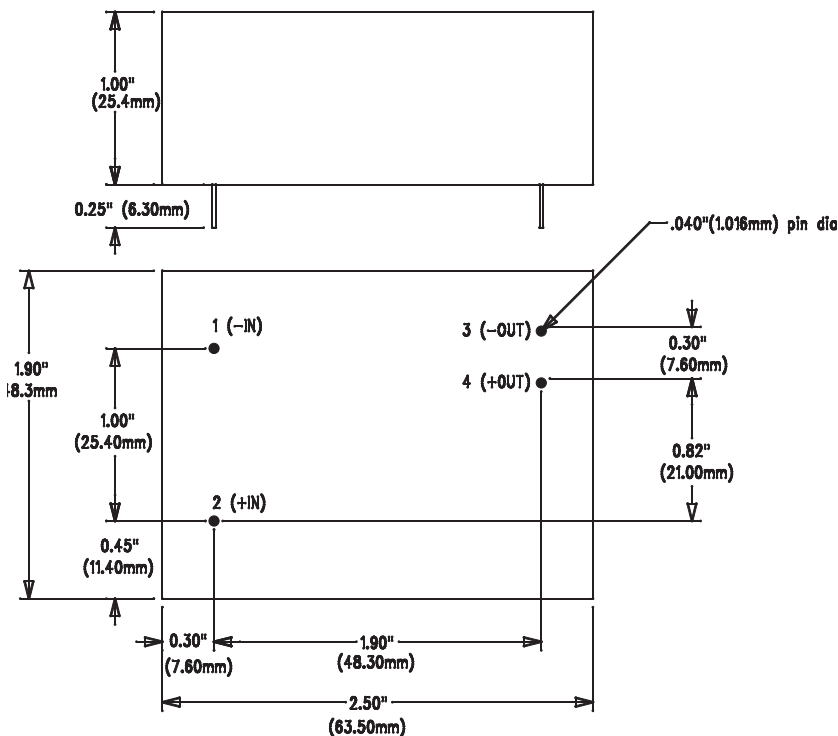
OPTIONS

- Shielding
- Mounting Holes
- Alternate Pin Configuration
- Flying Leads



Y16 pin configuration

Mechanical Drawing



ELECTRICAL SPECIFICATIONS

- Power: 6 Watts
- Input Voltage: Proportional 18 to 24 VDC
- Output Voltage: See Table
- Output Current: 40mA
- Line Regulation: +/- 2%
- Load Regulation: 2%
- Ripple: 100mV P-P
- Isolation: I/O 1000V
- Shielding: No

MECHANICAL SPECIFICATIONS

- Size: 2.5 X 1.9: X 1"H
- Weight: 130 grams
- Encapsulation: 100%
- Case: Black Phenolic
- Plated PCB Pins: 4 0.394"L (1.1mm) X 0.40" Dia. (10.16mm)